



Description

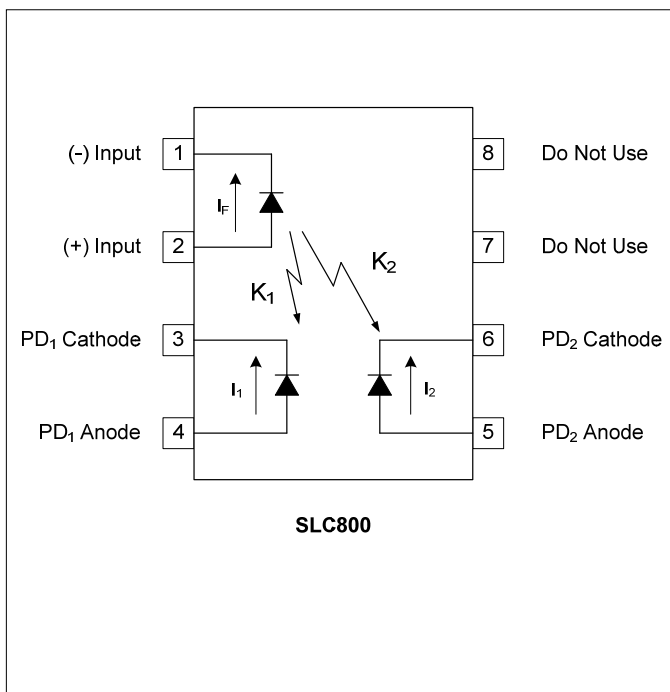
The SLC800 is a highly advanced linear optocoupler device. The product takes advantage of highly matched transistors used for both a Servo Feedback Loop and a Forward Output Loop. The closely matched transistors provide a high degree of linearity across a wide range of input signal variation. These features make the SLC800 an ideal product for transformer replacement in many medical, industrial and power supply isolation circuits. Its small size makes the SLC800 quite attractive for telecom applications in which board space is limited.

The SLC800 comes standard in a miniature 8 pin DIP package.

Applications

- Power Supply Feedback
- Transformer Replacement
- Audio Signal Interface
- Digital Telephone Isolation
- Medical Sensor Isolation

Schematic Diagram



Features

- High Isolation Voltage (1500V_{RMS})
- Low Input Power Consumption
- High Servo Linearity Across Temperature
- Long Life / High Reliability
- RoHS / Pb-Free / REACH Compliant

Agency Approvals

UL / C-UL: File # E201932
 VDE: File # 40035191 (EN 60747-5-2)

Absolute Maximum Ratings

The values indicated are absolute stress ratings. Functional operation of the device is not implied at these or any conditions in excess of those defined in electrical characteristics section of this document. Exposure to absolute Maximum Ratings may cause permanent damage to the device and may adversely affect reliability.

Storage Temperature	-55 to +125°C
Operating Temperature	-40 to +85°C
Continuous Input Current	40mA
Transient Input Current	400mA
Reverse Input Control Voltage	6V
Input Power Dissipation	40mW
Output Power Dissipation	800mW
Solder Temperature – Wave (10sec).....	260°C
Solder Temperature – IR Reflow (10sec).....	260°C

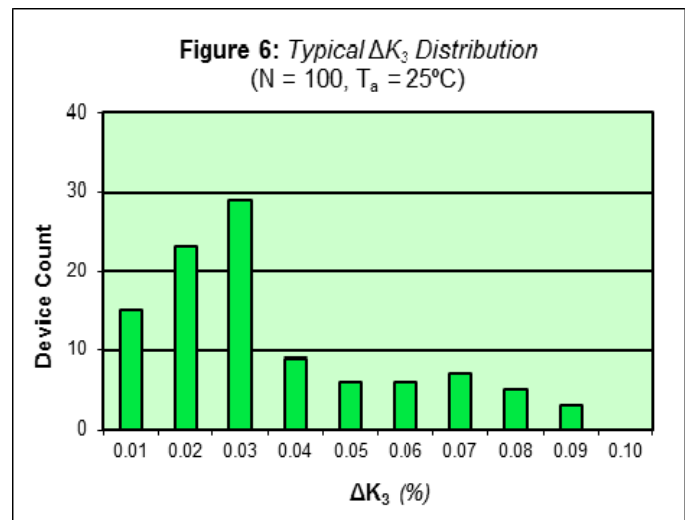
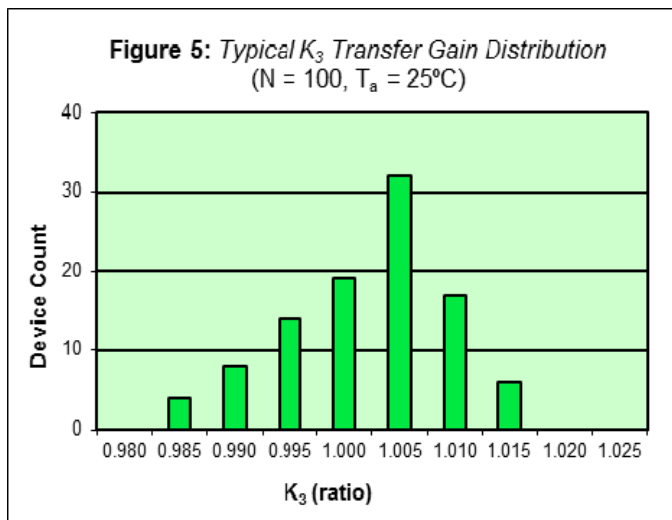
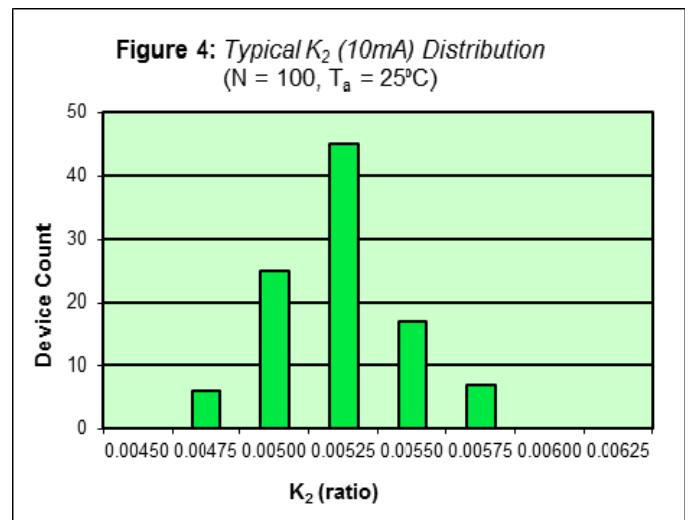
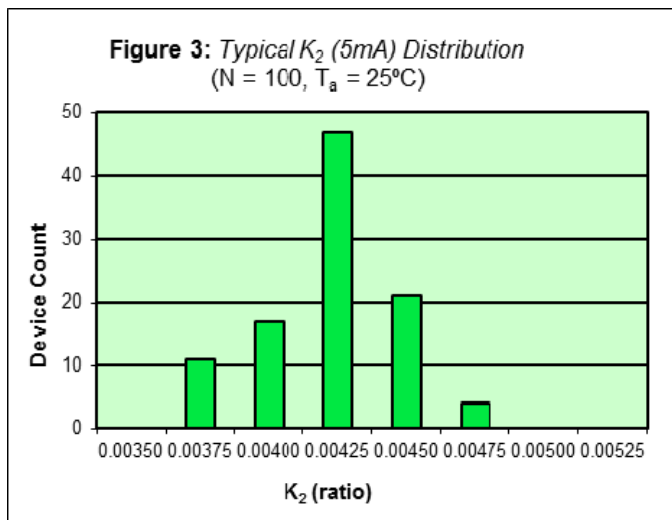
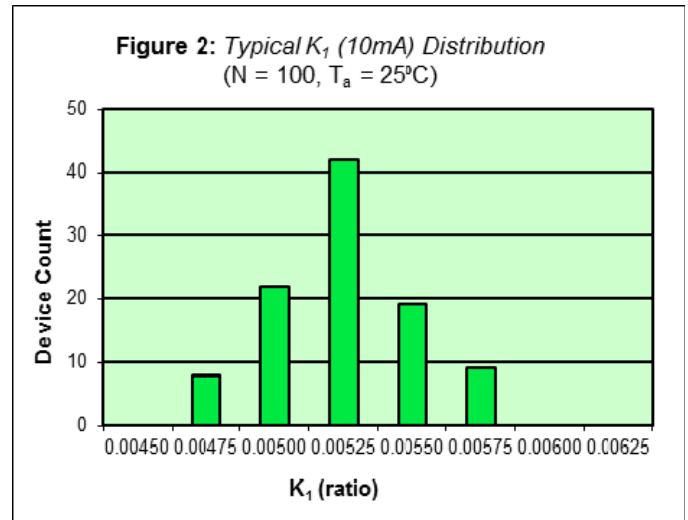
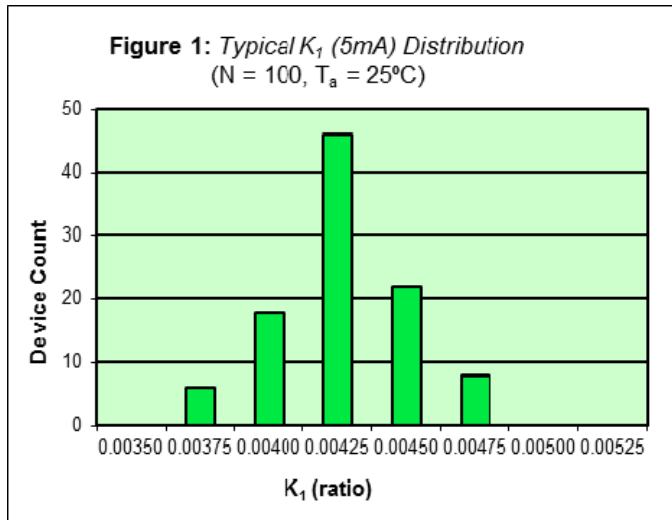
Ordering Information

Part Number	Description
SLC800	8 pin DIP, (50/Tube)
SLC800-S	8 pin SMD, (50/Tube)
SLC800-STR	8 pin SMD, Tape and Reel (1000/Reel)

NOTE: Suffixes listed above are not included in marking on device for part number identification

Electrical Characteristics, $T_A = 25^\circ\text{C}$ (unless otherwise specified)

Parameter	Symbol	Min.	Typ.	Max.	Units	Test Conditions
Input Specifications						
LED Forward Voltage	V_F	-	1.2	1.5	V	$I_F = 10\text{mA}$
LED Reverse Voltage	BV_R	6	-	-	V	$I_R = 10\mu\text{A}$
Terminal Capacitance	C_t	-	30	250	pF	$V=0, f=1\text{KHz}$
Reverse Current	I_R	-	-	10	μA	$V_R=6\text{V}$
Coupled Specifications						
K1 Servo Gain (I_1/I_F)	K1	0.001	0.002	0.01	n/a	$I_F=0.3-1.0\text{mA}$
K1 Servo Gain (I_1/I_F)	K1	0.002	0.004	0.01	n/a	$I_F=1-10\text{mA}$
K2 Forward Gain (I_2/I_F)	K2	0.001	0.002	0.01	n/a	$I_F=0.3-1.0\text{mA}$
K2 Forward Gain (I_2/I_F)	K2	0.002	0.004	0.01	n/a	$I_F=1-10\text{mA}$
K3 Transfer Gain (K_2/K_1)	K3	0.98	1.00	1.02	n/a	$I_F=0.3-10\text{mA}$
Transfer Gain Linearity	ΔK_3	-	0.07	0.1	%	$I_F=0.3-10\text{mA}$
Photo-Conductive Operation						
Frequency Response (-3dB)	-	-	140	-	kHz	$I_F=10\text{mA}, \Delta V=2\text{V}$
Phase Response	-	-	-45	-	DEG	$f=140\text{kHz}$
Isolation Specifications						
Isolation Voltage	V_{ISO}	1500	-	-	V_{RMS}	$RH \leq 50\%, t=1\text{min}$
Input-Output Resistance	R_{I-O}	-	10^{12}	-	Ω	$V_{I-O} = 500V_{DC}$

SLC800 Performance & Characteristics Plots, $T_a = 25^\circ\text{C}$ (unless otherwise specified)


SLC800 Solder Temperature Profile Recommendations
(1) Infrared Reflow:

Refer to the following figure as an example of an optimal temperature profile for single occurrence infrared reflow. Soldering process should not exceed temperature or time limits expressed herein. Surface temperature of device package should not exceed 250°C:

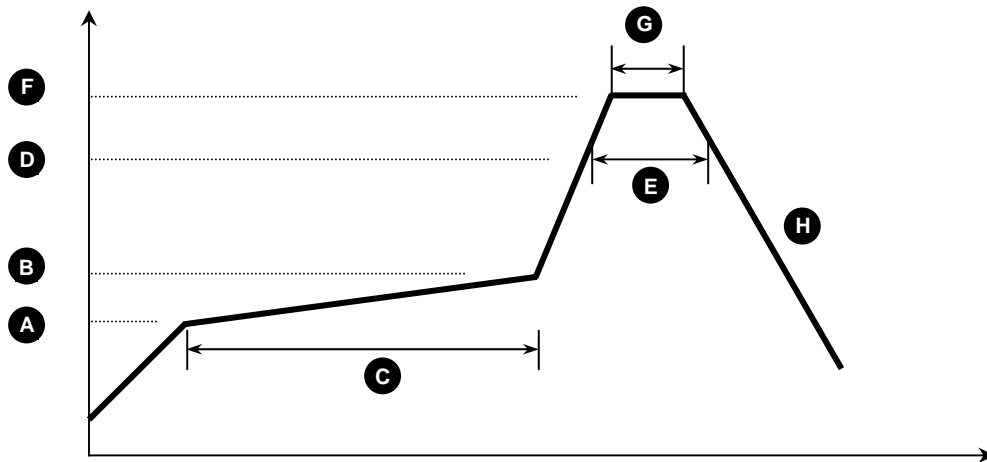


Figure 1

Process Step	Description	Parameter
A	Preheat Start Temperature (°C)	150°C
B	Preheat Finish Temperature (°C)	180°C
C	Preheat Time (s)	90 - 120s
D	Melting Temperature (°C)	230°C
E	Time above Melting Temperature (s)	30s
F	Peak Temperature, at Terminal (°C)	260°C
G	Dwell Time at Peak Temperature (s)	10s
H	Cool-down (°C/s)	<6°C/s

(2) Wave Solder:

Maximum Temperature: 260°C (at terminal)
 Maximum Time: 10s
 Pre-heating: 100 - 150°C (30 - 90s)
 Single Occurrence

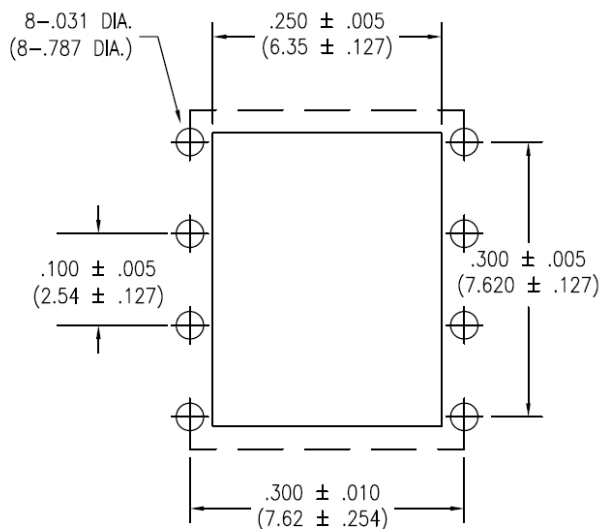
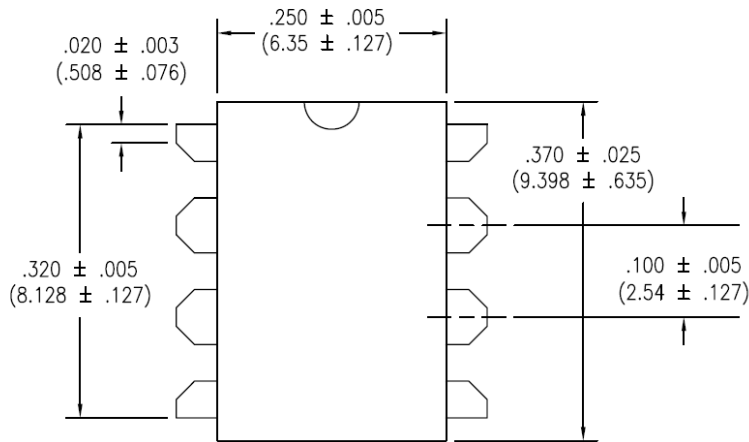
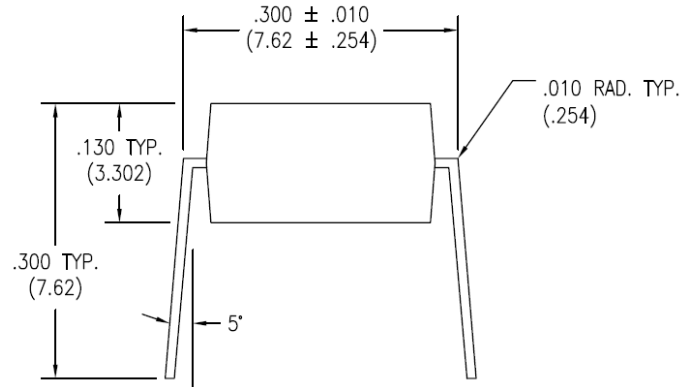
(3) Hand Solder:

Maximum Temperature: 350°C (at tip of soldering iron)
 Maximum Time: 3s
 Single Occurrence

SLC800 Package Dimensions

8 PIN DIP Package

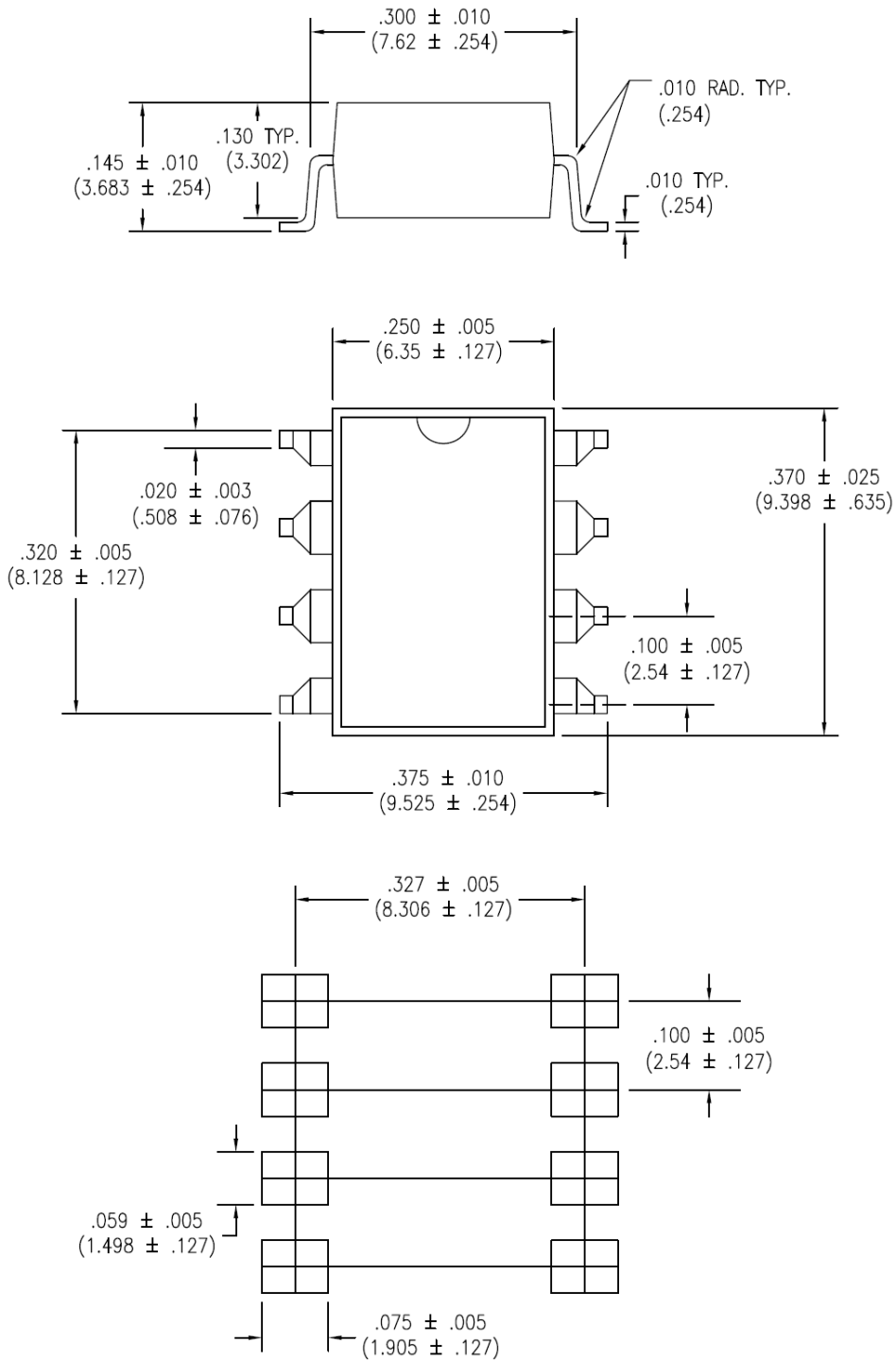
Note: All dimensions in inches ["'] with millimeters in parenthesis ()
Device Weight: 0.45g



SLC800 Package Dimensions

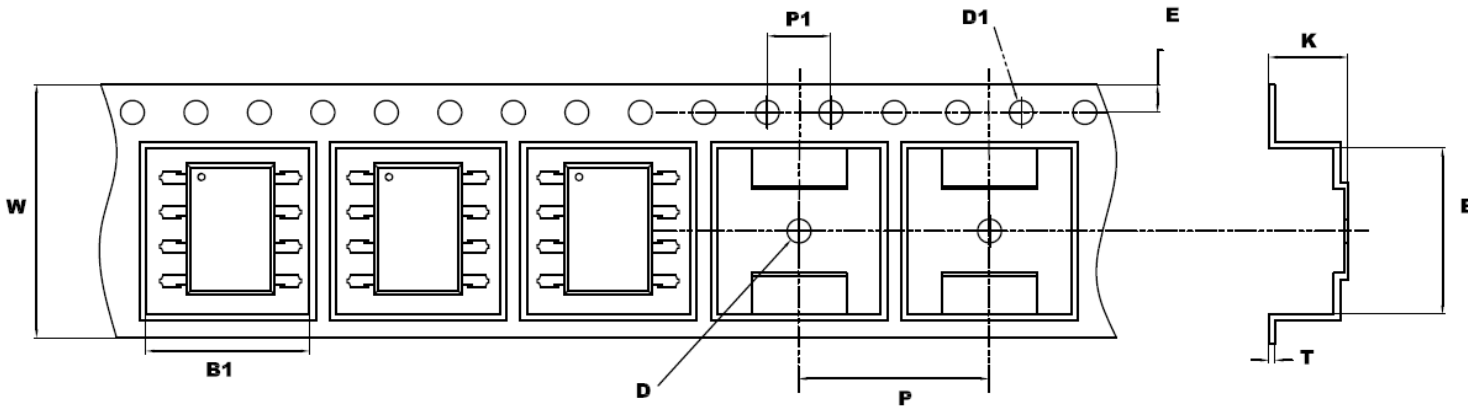
8 PIN SMD Surface Mount Package (-S)

Note: All dimensions in inches ["] with millimeters in parenthesis ()
Device Weight: 0.45g



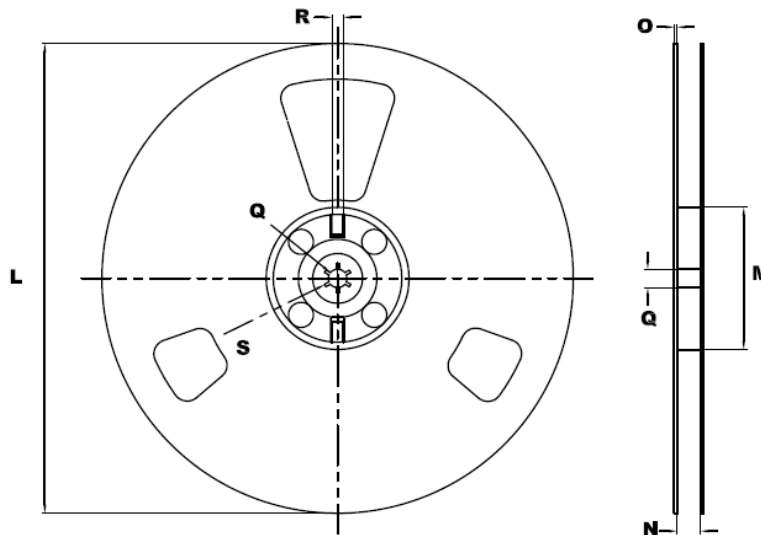
SLC800 Package Dimensions

8 PIN SMD Tape & Reel (-STR)

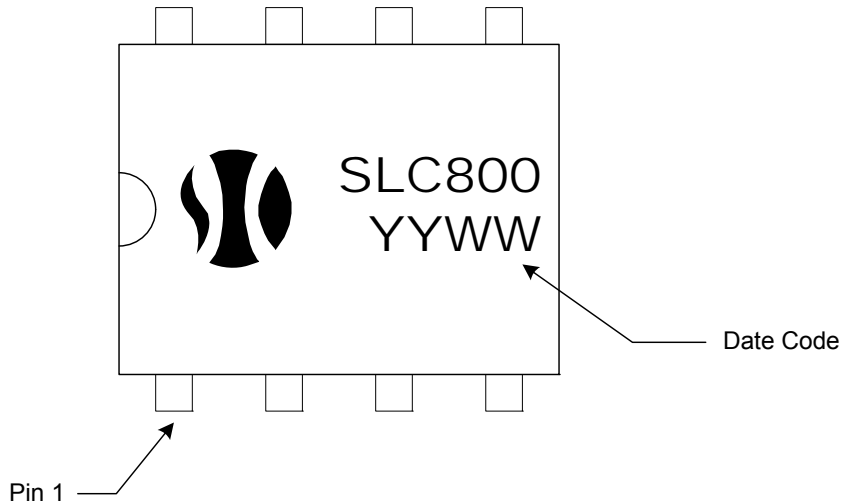
Note: All dimensions in millimeters


Direction of Feed →

W	B	B1	P	P1	K	E	T	D	D1
16.00 ±0.1	10.50 ±0.1	10.30 ±0.1	12.00 ±0.1	4.00 ±0.1	5.00 ±0.1	1.75 ±0.1	0.40 ±0.1	1.50 ±0.1	1.50 ±0.1



L	M	N	O	Q	R	S
330.00	100.00	16.40 ±0.2	2.00 ±0.1	13.00 ±0.2	2.00	10.00

SLC800 Package Marking**DISCLAIMER**

Solid State Optronics (SSO) makes no warranties or representations with regards to the completeness and accuracy of this document. SSO reserves the right to make changes to product description, specifications at any time without further notices. SSO shall not assume any liability arising out of the application or use of any product or circuit described herein. Neither circuit patent licenses nor indemnity are expressed or implied. Except as specified in SSO's Standard Terms & Conditions, SSO disclaims liability for consequential or other damage, and we make no other warranty, expressed or implied, including merchantability and fitness for particular use.

LIFE SUPPORT POLICY

SSO does not authorize use of its devices in life support applications wherein failure or malfunction of a device may lead to personal injury or death. Users of SSO devices in life support applications assume all risks of such use and agree to indemnify SSO against any and all damages resulting from such use. Life support devices are defined as devices or systems which, (a) are intended for surgical implant into the body, or (b) support or sustain life, and (c) whose failure to perform when used properly in accordance with instructions for use can be reasonably expected to result in significant injury to the user, or (d) a critical component of a life support device or system whose failure can be reasonably expected to cause failure of the life support device or system, or to affect its safety or effectiveness.