



1 Form A
Solid State Relay



DESCRIPTION

The AD2C111 is a bi-directional, single-pole, single-throw, normally open multipurpose solid-state relay. It is designed to replace electromechanical relays in general purpose switching applications. The relay consists of IR LED optically coupled to a IC that drives two rugged source-to-source enhancement type DMOS transistors. The 4 pin DIP package offers the combination of reduced package size, with 5kV input to output isolation.

FEATURES

- Small 4 pin DIP package outline - reduces board space
- High input-output isolation (5kVrms)
- Low input control power consumption (2mA TYP)
- 130mA maximum continuous load current
- 30 ohms maximum on-resistance
- Long life/high reliability
- RoHS / Pb-Free / REACH Compliant

APPLICATIONS

- Reed relay replacement
- Meter reading systems
- Medical Equipment
- Battery Monitoring
- Multiplexers

OPTIONS/SUFFIXES*

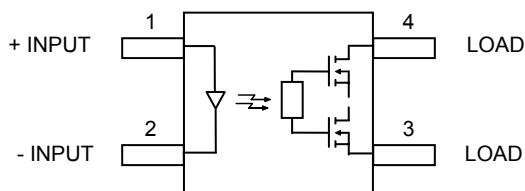
- -S Surface Mount Leadform Option (65pcs / tube)
- -TR Tape and Reel Packing Option (2,000 pcs / reel)

NOTE: Suffixes listed above are not included in marking on device for part number identification.

ABSOLUTE MAXIMUM RATINGS*

PARAMETER	UNIT	MIN	TYP	MAX
Storage Temperature	°C	-40		125
Operating Temperature	°C	-40		85
Continuous Input Current	mA			50
Transient Input Current (1us)	mA			1
Reverse Input Control Voltage	V			5
Output Power Dissipation	mW			500
Solder Temperature - Wave (10s)	°C			260
Solder Temperature - IR Reflow (10s)	°C			260

SCHEMATIC DIAGRAM



*The values indicated are absolute stress ratings. Functional operation of the device is not implied at these or any conditions in excess of those defined in electrical characteristics section of this document. Exposure to Absolute Ratings may cause permanent damage to the device and may adversely affect reliability.

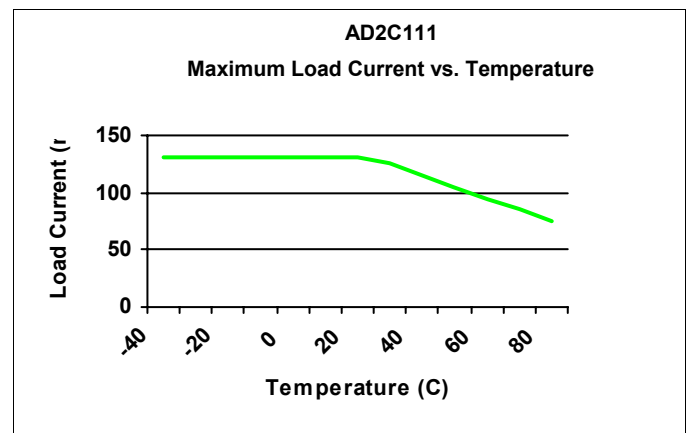
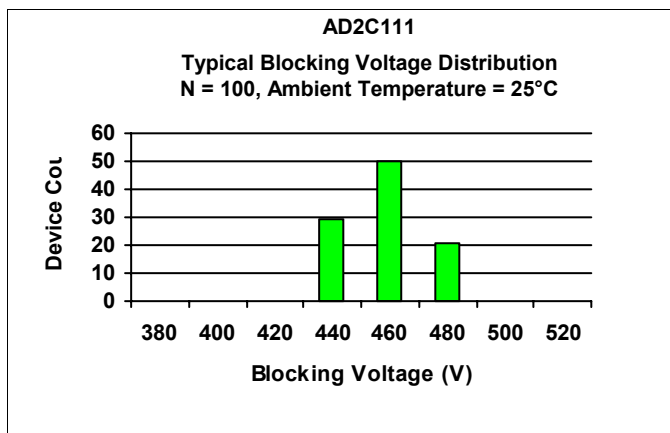
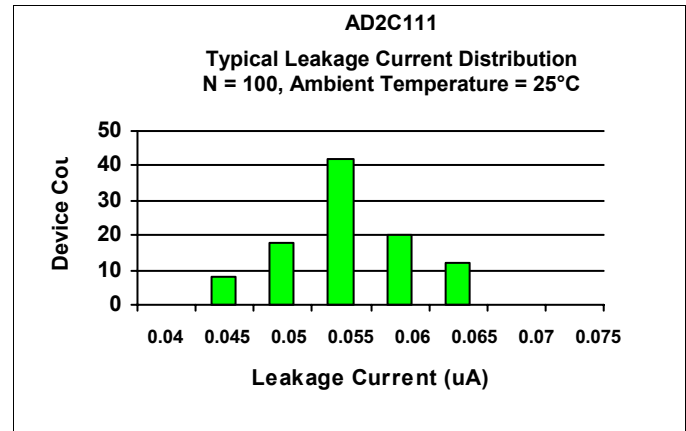
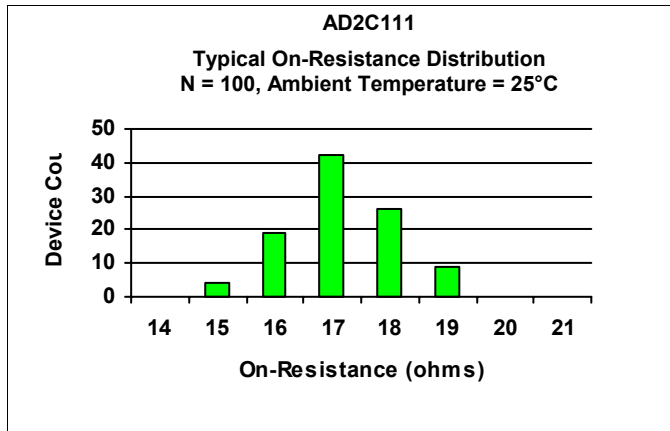
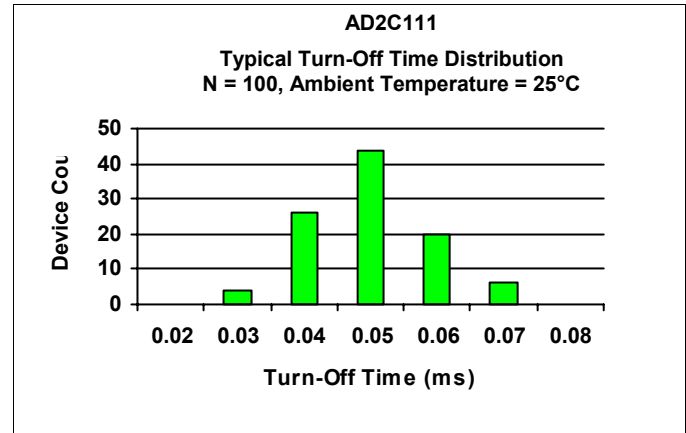
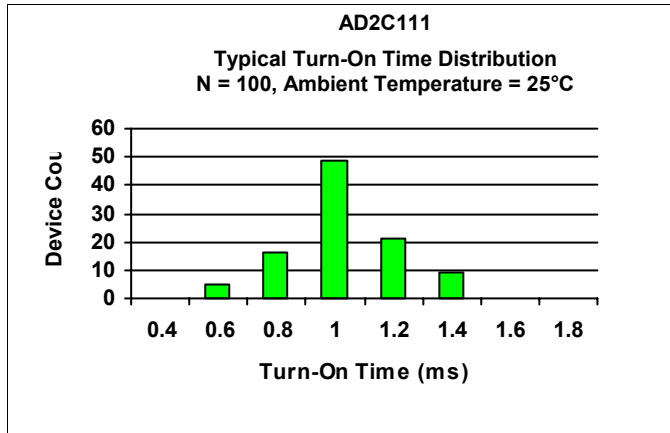
APPROVALS

- UL / C-UL Approved: File # E201932

ELECTRICAL CHARACTERISTICS - 25°C

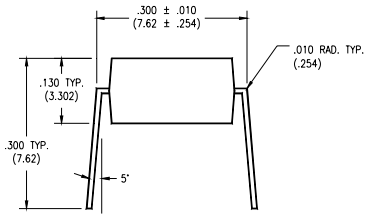
PARAMETER	UNIT	MIN	TYP	MAX	TEST CONDITIONS
INPUT SPECIFICATIONS					
LED Forward Voltage	V		1.8	2	If = 10mA
Turn-On Current	m A		2	5	Io = 100mA, Vo=20V T=10ms
Turn-Off Current	m A	0.2			
OUTPUT SPECIFICATIONS					
Blocking Voltage	V	400			Io = 1uA
Continuous Load Current	m A			130	If = 5mA
On-Resistance	Ω		17	30	Io = 130mA
Output Off-State Leakage Current	μ A		0.2	1	Vo = 400V
I/O Capacitance	p F	6			If=0, f = 1.0MHz
COUPLED SPECIFICATIONS					
Isolation Voltage	V	5000			T = 1 min
Turn-On Time	m s		1	2	If = 5mA, Io = 130mA
Turn-Off Time	m s		0.05	1	If = 0mA, Io = 130mA
Isolation Resistance	G Ω	100			

PERFORMANCE DATA



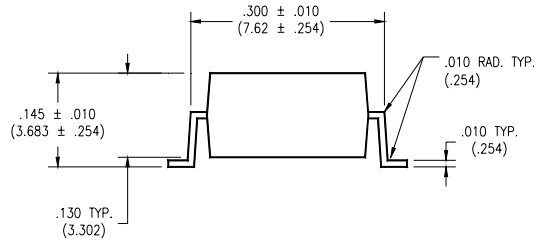
MECHANICAL DIMENSIONS

4 PIN DUAL IN-LINE PACKAGE

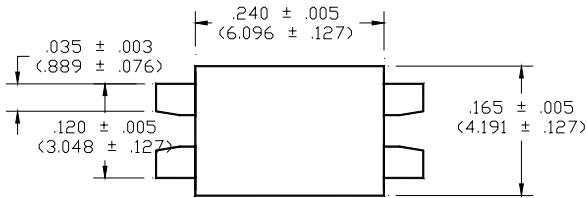


END VIEW

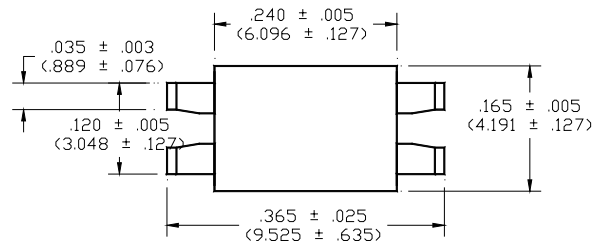
4 PIN SURFACE MOUNT DEVICE



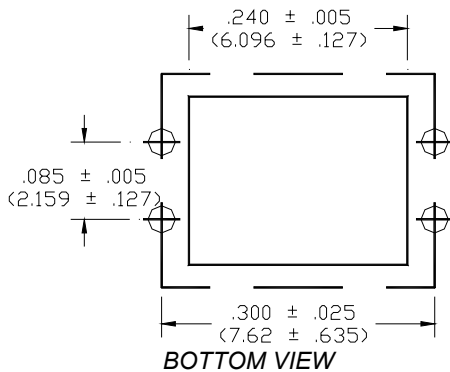
END VIEW



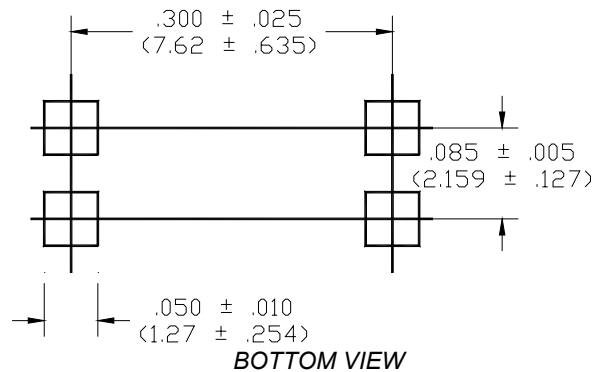
TOP VIEW



TOP VIEW



BOTTOM VIEW



BOTTOM VIEW

DISCLAIMER

Solid State Optronics (SSO) makes no warranties or representations with regards to the completeness and accuracy of this document. SSO reserves the right to make changes to product description, specifications at any time without further notice. SSO shall not assume any liability arising out of the application or use of any product or circuit described herein. Neither circuit patent licenses nor indemnity are expressed or implied. Except as specified in SSO's Standard Terms & Conditions, SSO disclaims liability for consequential or other damage, and we make no other warranty, expressed or implied, including merchantability and fitness for particular use.

LIFE SUPPORT POLICY

SSO does not authorize use of its devices in life support applications wherein failure or malfunction of a device may lead to personal injury or death. Users of SSO devices in life support applications assume all risks of such use and agree to indemnify SSO against any and all damages resulting from such use. Life support devices are defined as devices or systems which, (a) are intended for surgical implant into the body, or (b) support or sustain life, and (c) whose failure to perform when used properly in accordance with instructions for use can be reasonably expected to result in significant injury to the user, or (d) a critical component in any component of a life support device or system whose failure can be reasonably expected to cause failure of the life support device or system, or to affect its safety or effectiveness.